

**BioMEDanas**  
FOR BIOMEDICAL ENGINEERING





BioMEDanas UG (haftungsbeschränkt)  
Fanny-Lewald-Ring 165, 21035 Hamburg  
Local court Hamburg  
Commercial register HRB 171489



Bank details  
Postbank NDL Deutsche Bank  
BIC: PBNKDEFF  
IBAN: DE38 1001 0010 0709 9601 34

CEO  
Eng. Anas Musleh  
tax number : 44/708/01234  
VAT ID No. DE347062075



## Treatment Table



X25

## Electric Treatment Table

## ▶ Descriptions:

This electric treatment table has multi functions of massage, beauty, tattoo.  
 PU surface washable mattress with optional upholstery(6cm polyurethane sponge)  
 Standard hand controller,easy and convenient to control



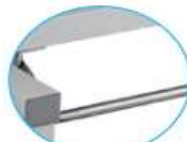
Face hole with gas spring



6cm PU mattress



4 inch casters



Footbar system

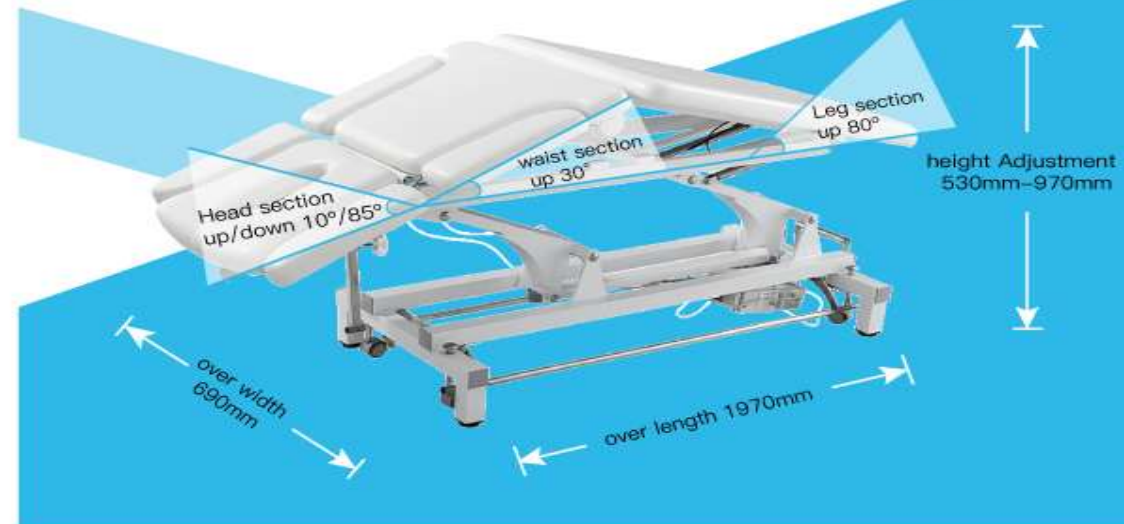


1.5mm thickness powder coated steel structure



Dongrun brand motor

Technical parameter	
Model	X23
Total dimension	1970x690x(530-970)mm
Head section up/down	10°/85°
Leg section up/down	80°/0°
Waist section up/down	30°/0°
Height adjustment	530-970mm
Hand controller	1 pc
Mattress	6 cm PU mattress
Motor brand	Dongrun CE approved motor
Steel	1.5mm powder coated steel
Standard accessories	
4 inch casters	4 pcs
Motor	1 pc
Pillow	1 pc
Gas spring	2 pcs
Hand controller	1 pc
Optional accessories	
Paper roll holder	1 pc
Footbar system	1 pc
Packing	
Packing dimension	200*70*55cm
G.W.	93kgs



X25

Electric Treatment Table

Descriptions:

PU surface washable mattress with optional upholstery(6cm polyurethane sponge)  
 High quality Virgin ABS material  
 Standard hand controller,easy and convenient to control  
 The robot welds without scar,standardize laser cutting



Face hole with Rack



6cm PU mattress



2 inch casters



Hand controller



1.2mm thickness steel



Dongrun brand motor

Technical parameter	
Model	X25
Total dimension	1950x680x(600-880)mm
Head section up/down	40°/0°
Leg section up/down	60°/0°
Waist section up/down	20°/0°
Height adjustment	600-880mm
Hand controller	1 pc
Mattress	6 cm PU mattress
Motor brand	Dongrun CE approved motor
Steel	1.2mm powder coated steel
Standard accessories	
2 inch casters	2 pcs
Motor	1 pc
Pillow	1 pc
Rack	2 pcs
Hand controller	1 pc
Optional accessories	
Paper roll holder	1 pc
Footbar system	1 pc
Packing	
Packing dimension	187*71*65cm
G.W.	70kgs



X26

Electric Treatment Table

Descriptions:

PU surface washable mattress with optional upholstery(6cm polyurethane sponge)  
 High quality Virgin ABS material  
 Standard hand controller,easy and convenient to control  
 The robot welds without scar,standardize laser cutting



Face hole with Rack



6cm PU mattress



2 inch casters



Hand controller



1.2mm thickness steel



Dongrun brand motor



Technical parameter	
Model	X26
Total dimension	1810x680x(570-860)mm
Head section up/down	50°/0°
Height adjustment	570-860mm
Hand controller	1 pc
Mattress	6 cm PU mattress
Motor brand	Dongrun CE approved motor
Steel	1.2mm powder coated steel
Standard accessories	
2 inch casters	2 pcs
Motor	1 pc
Pillow	1 pc
Rack	2 pcs
Hand controller	1 pc
Optional accessories	
Paper roll holder	1 pc
Footbar system	1 pc
Packing	
Packing dimension	185*69*61cm
G.W.	64kgs



X27

## Electric Treatment Table

## ▶ Descriptions:

PU surface washable mattress with optional upholstery(6cm polyurethane sponge)  
 High quality Virgin ABS material  
 Standard hand controller,easy and convenient to control  
 The robot welds without scar,standardize laser cutting



Face hole with gas spring



4 inch casters



1.5mm thickness steel



Dongrun brand motor

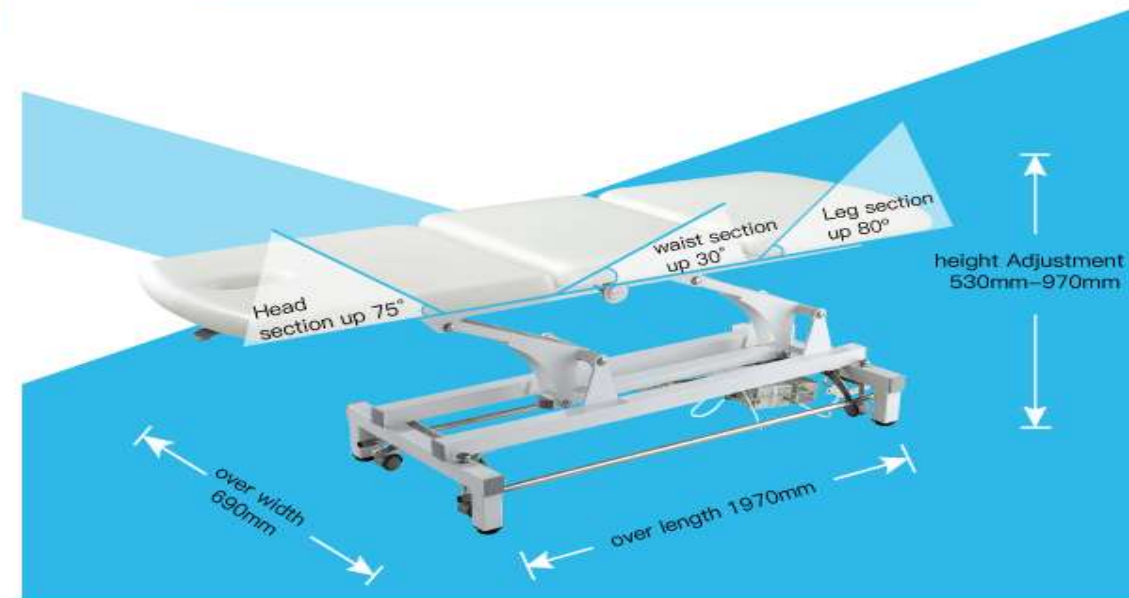


6cm PU mattress



Footbar system

Technical parameter	
Model	X27
Total dimension	1970x690x(530-970)mm
Head section up/down	75°/0°
Leg section up/down	80°/0°
Waist section up/down	30°/0°
Height adjustment	530-970mm
Hand controller	1 pc
Mattress	6 cm PU mattress
Motor brand	Dongrun CE approved motor
Steel	1.5mm powder coated steel
Standard accessories	
4 inch casters	4 pcs
Motor	1 pc
Pillow	1 pc
Gas spring	2 pcs
Hand controller	1 pc
Optional accessories	
Paper roll holder	1 pc
Footbar system	1 pc
Packing	
Packing dimension	200*70*55cm
G.W.	93kgs



X22

Hydraulic Treatment Table

► Descriptions:

PU surface mattress with optional upholstery(6cm polyurethane sponge,10cm manual sponge)  
 High quality Virgin ABS material  
 Hand controller controls the height adjustment,rack controls the back section adjustment  
 The robot welds without scar,standardize laser cutting



6cm PU mattress



Face hole with rack



2 inch casters



1.2mm thickness steel



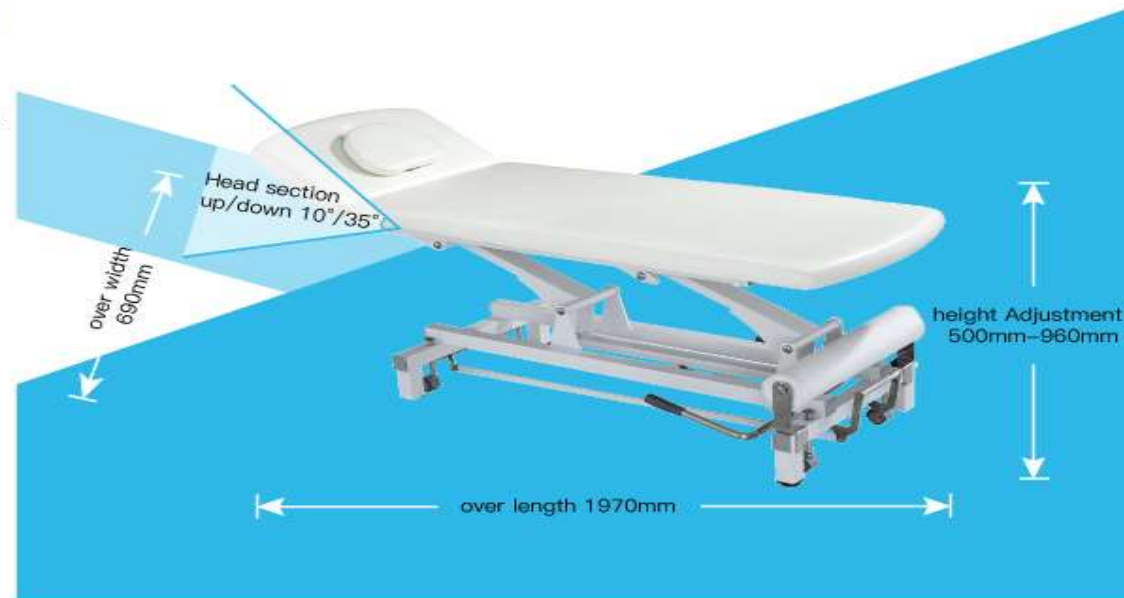
Hand controller



Dongrun hydraulic pump



Technical parameter	
Model	X22
Total dimension	1970x690x(500-960)mm
Head section up/down	10°/85°
Height adjustment	500-960mm
Foot controller	1 pc
Mattress	6 cm PU mattress
Pump brand	Dongrun CE approved pump
Steel	1.2mm powder coated steel
Standard accessories	
2 inch casters	4 pcs
Hydraulic pump	1 pc
Pillow	1 pc
Rack	2 pcs
Hand controller	1 pc
Optional accessories	
Paper roll holder	1 pc
Packing	
Packing dimension	200*70*55cm
G.W.	73kgs





X24

Hydraulic Treatment Table

▶ Descriptions:

PU surface mattress with optional upholstery(6cm polyurethane sponge,10cm manual sponge)  
 1.2mm thickness powder coated steel structure  
 High quality Virgin ABS material  
 Hand controller controls the height adjustment,rack controls the back section adjustment



Face hole with rack



6cm PU mattress



2 inch casters



Hand controller



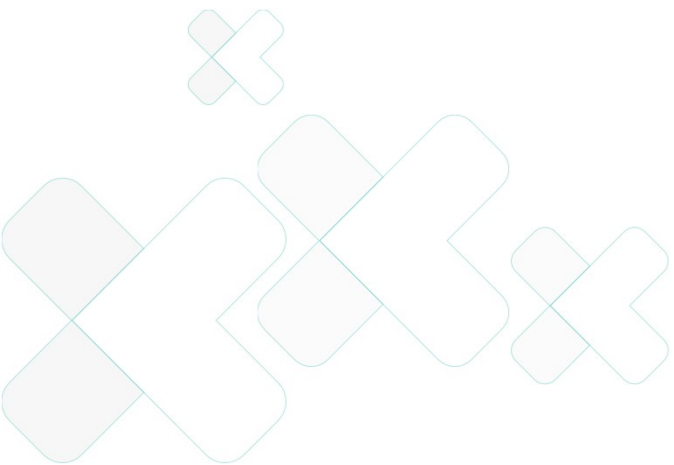
1.2mm thickness steel



Dongrun hydraulic pump

Technical parameter	
Model	X24
Total dimension	1810x680x(570-860)mm
Head section up/down	50°/0°
Height adjustment	570-860mm
Foot controller	1 pc
Mattress	6 cm PU mattress
Motor brand	Dongrun CE approved motor
Steel	1.2mm powder coated steel
Standard accessories	
2 inch casters	2 pcs
Hydraulic pump	1 pc
Pillow	1 pc
Rack	2 pcs
Hand controller	1 pc
Optional accessories	
Paper roll holder	1 pc
Packing	
Packing dimension	200*70*55cm
G.W.	60kgs





**THANKS FOR  
WATCHING**

